

8

7

6

5

4

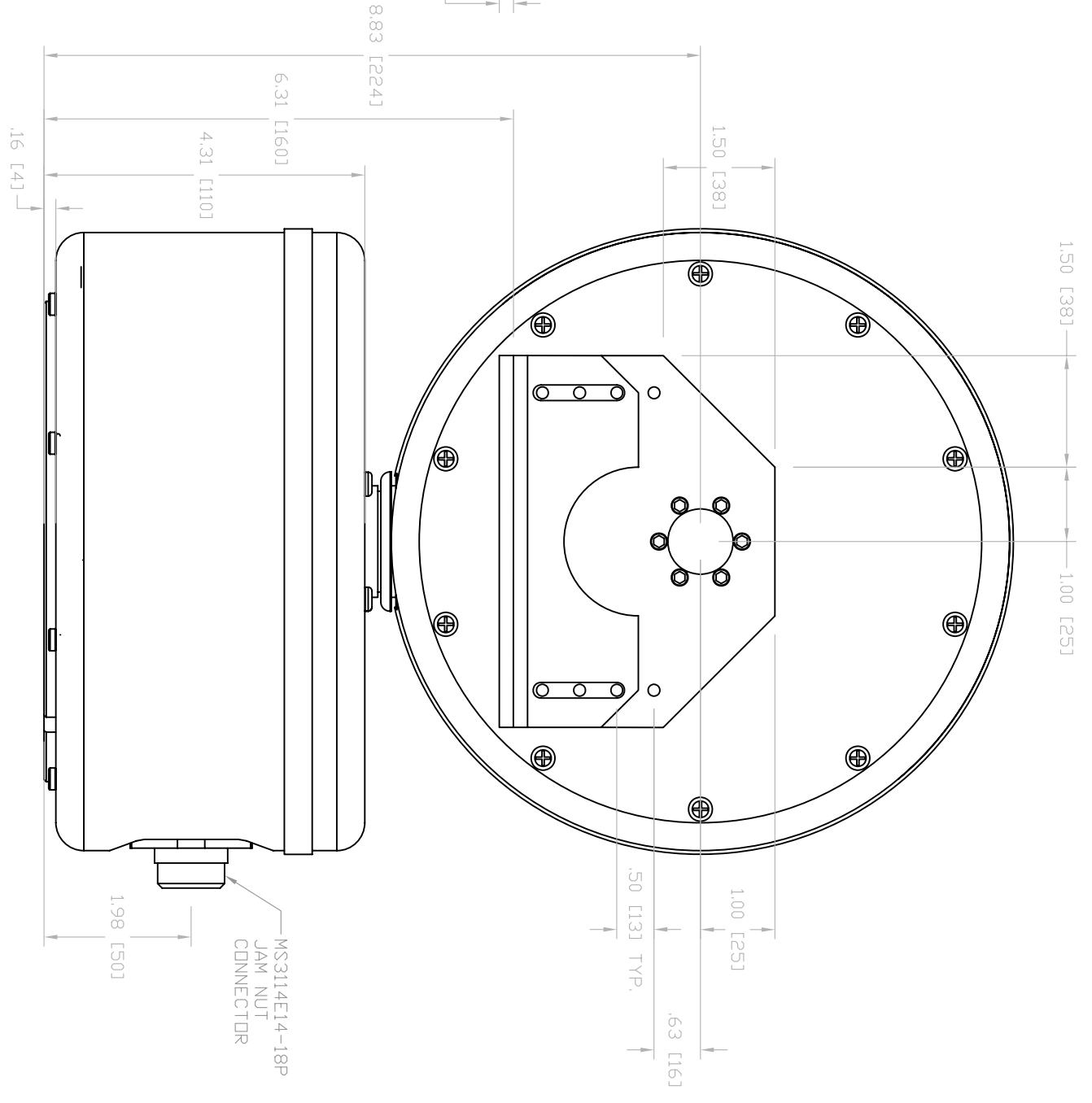
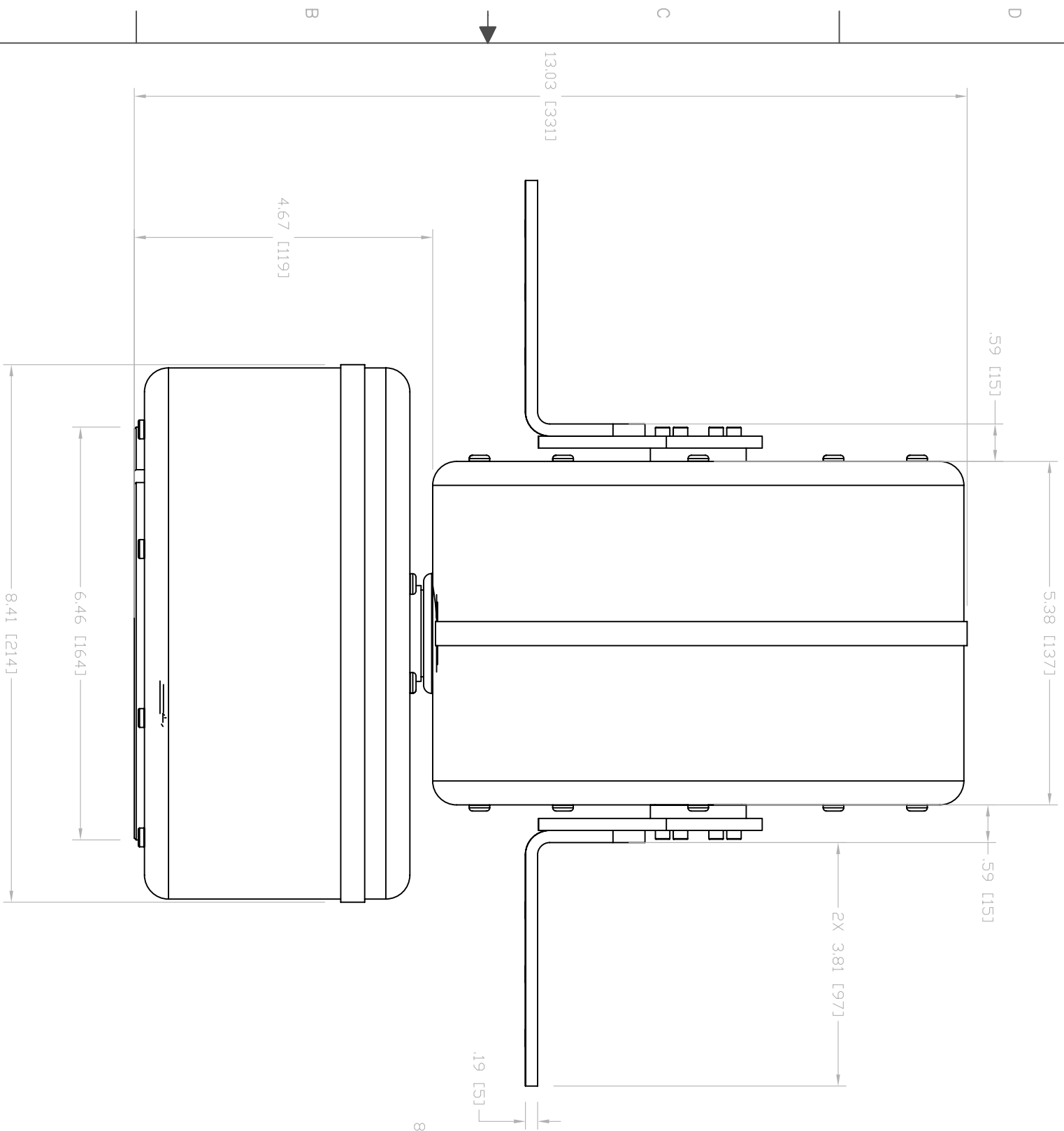
3

2

1

NOTE: DIMENSIONS IN [ ] ARE IN MM.

DWG NO. D104299		REV. 1	
REVISION HISTORY		DATE	APPROVED
REV.	DESCRIPTION	7/26/08	A.S.
C	REVISED PER ECR02605		



MS3114E14-18P  
JAM NUT  
CONNECTOR

THIS IS A SAGEBRUSH TECHNOLOGY, INC. PROPRIETARY DOCUMENT AND IS ISSUED IN CONFIDENCE FOR ENGINEERING INFORMATION ONLY. IT MAY NOT BE REPRODUCED OR USED TO MANUFACTURE ANYTHING SHOWN HEREIN WITHOUT DIRECT WRITTEN PERMISSION FROM SAGEBRUSH TECHNOLOGY, INC. TO THE USER.

THIRD ANGLE PROJECTION		HEAT TREAT	
NONE		NONE	
FINISH		MATERIAL	
UNLESS OTHERWISE SPECIFIED: DIMENSIONS ARE IN INCHES AND APPLY PRIOR TO FINISH. SURFACE TEXTURE: SYMBOLS PER ANSI Y14.5M, 94 REQUIREMENTS PER ANSI B46.1 MACH. SURF. ROUGHNESS TOLERANCES ON: ANGLES: ± .5° DECIMALS: .xx ± .005		DO NOT SCALE DRAWING	
CONTRACT NO. 8006		APPROVALS	
DATE	DATE	DATE	DATE
11/4/03	11/4/03	11/4/03	11/4/03
BY: B. CARRASCO	BY: A. SANCHEZ	BY: S. SETHI	
SAGEBRUSH Technology, Inc.		MODEL 20, DUAL SHELF, MECHANICAL ICD	
SIZE	CODE	DWG NO.	REV.
D	0XTY1	D104299	C
SCALE	NTS	WEIGHT	SHEET
		15.9 LBS	1 OF 3

8

7

6

5

4

3

2

1

FORM D

8

7

6

5

4

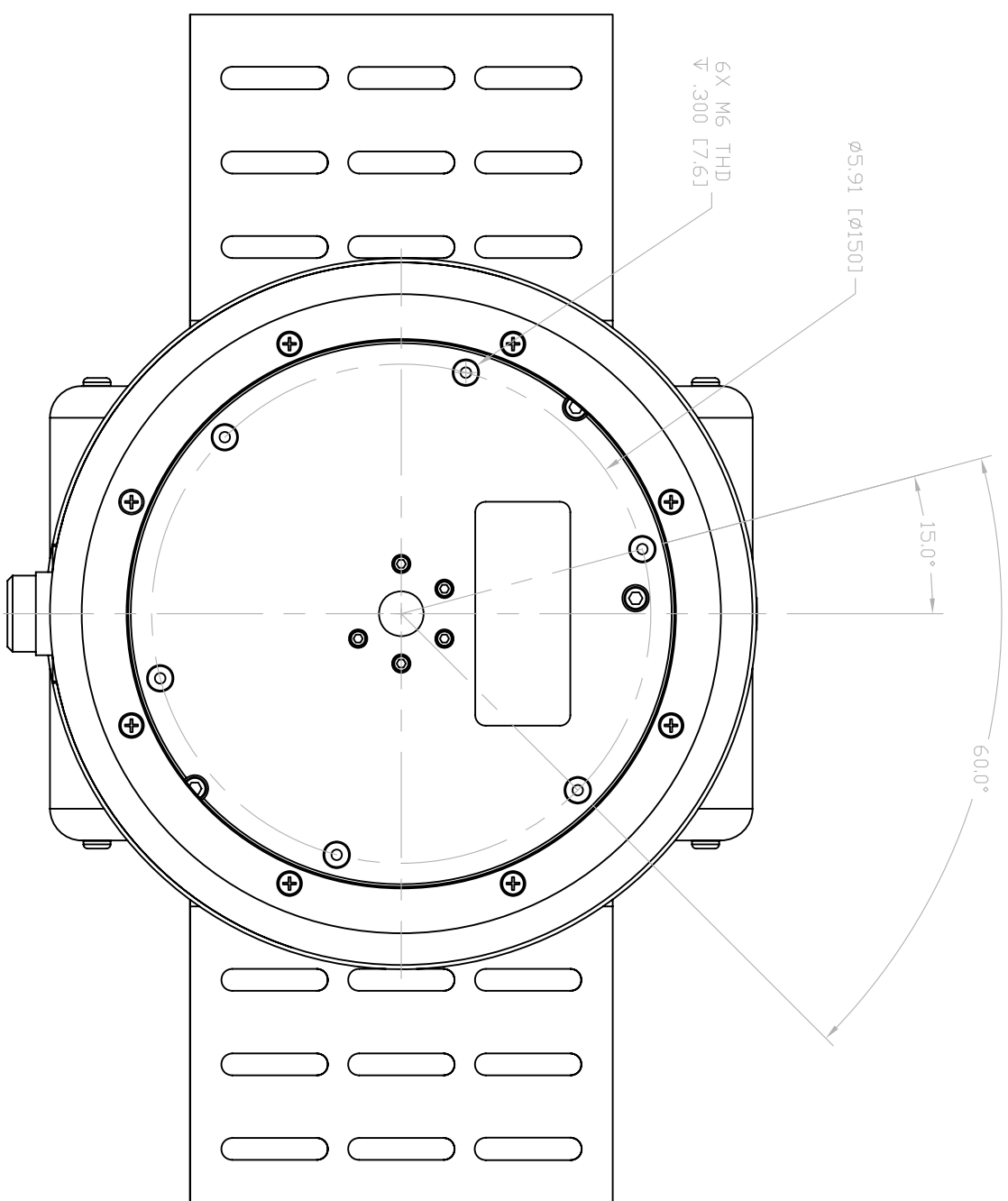
3

DWG NO D104299

REV C

NOTE: DIMENSIONS IN [ ] ARE IN MM.  
THE POSITION OF THE SERIAL TAG RELIEF MAY VARY, USE THE HOLE PATTERN FOR REFERENCE.

FRONT  
(HOME)



A

B

C

D

A

B

C

D

8

7

6

5

4

3

DWG NO D104299

REV C

THIS IS A SAGEBRUSH TECHNOLOGY, INC. PROPRIETARY DOCUMENT AND IS ISSUED IN CONFIDENCE FOR ENGINEERING INFORMATION ONLY. IT MAY NOT BE REPRODUCED OR USED TO MANUFACTURE ANYTHING SHOWN HEREIN WITHOUT DIRECT WRITTEN PERMISSION FROM SAGEBRUSH TECHNOLOGY, INC. TO THE USER.

DRAWN: E. CARRASCO  
CHECKED: A. SANCHEZ

**SAGEBRUSH Technology, Inc.**

SIZE	CAGE CODE	DWG NO.	REV.
D	0XTY1	D104299	C
SCALE	NTS	SHEET	2 OF 3

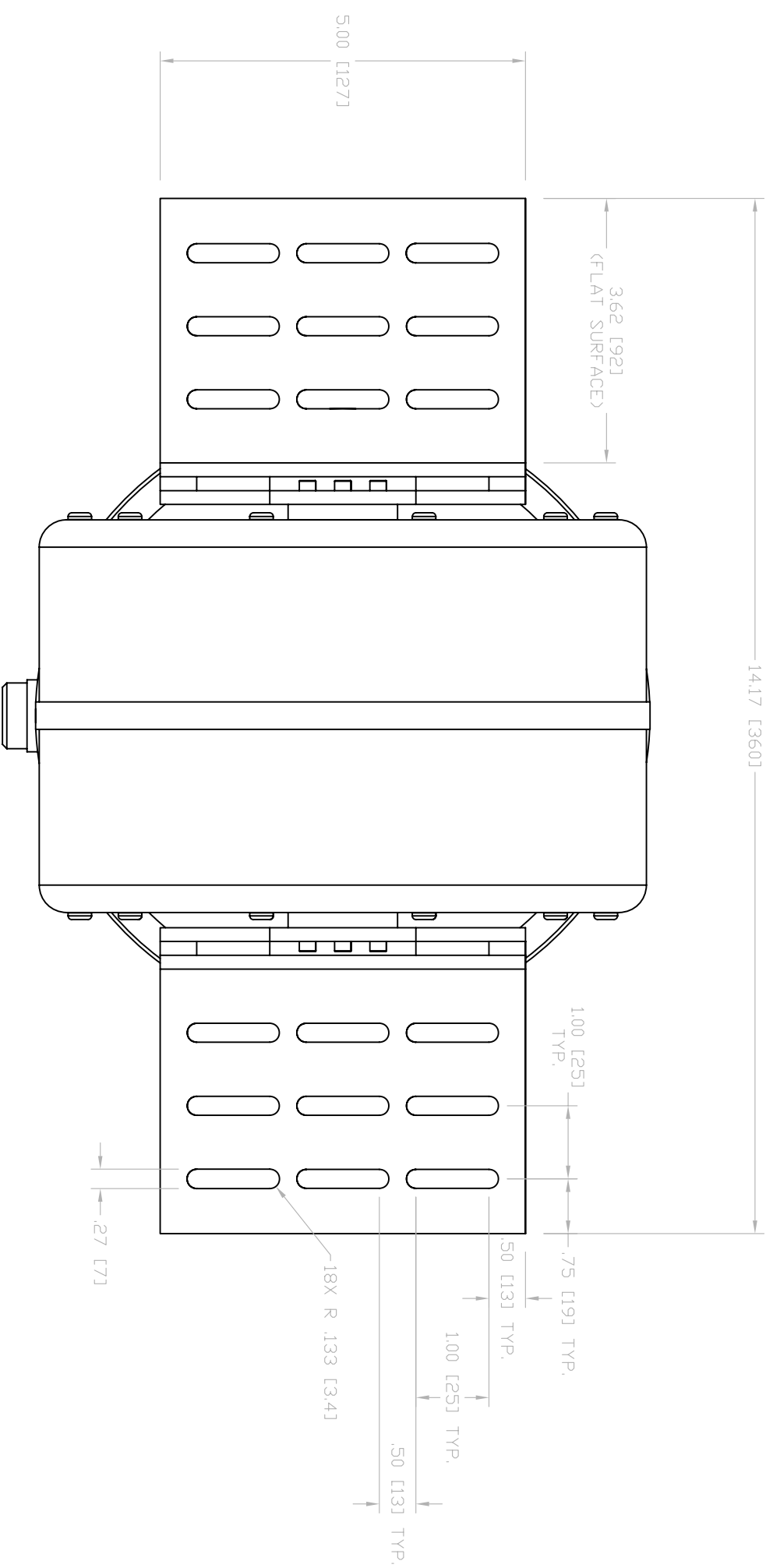
A

B

C

D

NOTE: DIMENSIONS IN [ ] ARE IN MM.



DWG NO D104299

REV C

A

B

C

D

A

B

C

D

8

7

6

5

4

3

2

1

THIS IS A SAGEBRUSH TECHNOLOGY, INC. PROPRIETARY DOCUMENT AND IS ISSUED IN CONFIDENCE FOR ENGINEERING INFORMATION ONLY. IT MAY NOT BE REPRODUCED OR USED TO MANUFACTURE ANYTHING SHOWN HEREIN WITHOUT DIRECT WRITTEN PERMISSION FROM SAGEBRUSH TECHNOLOGY, INC. TO THE USER.

DRAWN: B. CARRASCO  
CHECKED: A. SANCHEZ

**SAGEBRUSH Technology, Inc.**

SIZE	CASE CODE	DWG NO.	REV.
D	0XTY1	D104299	C
SCALE	NTS	SHEET	3 OF 3