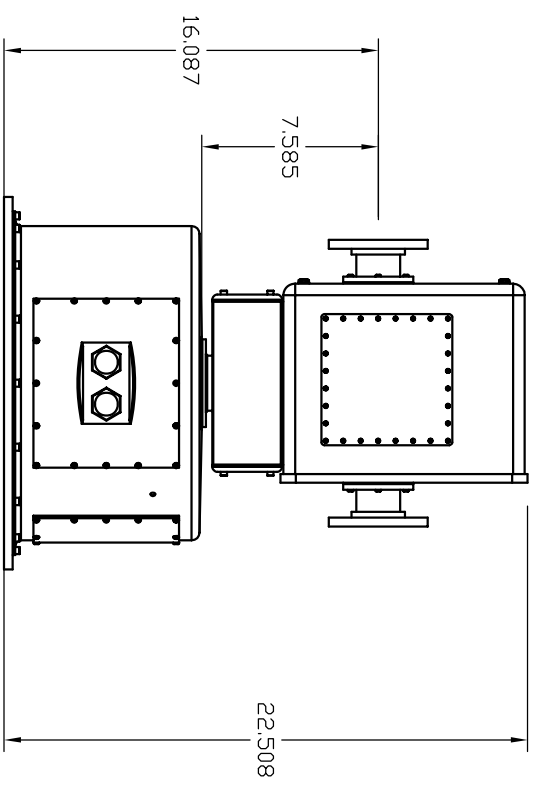
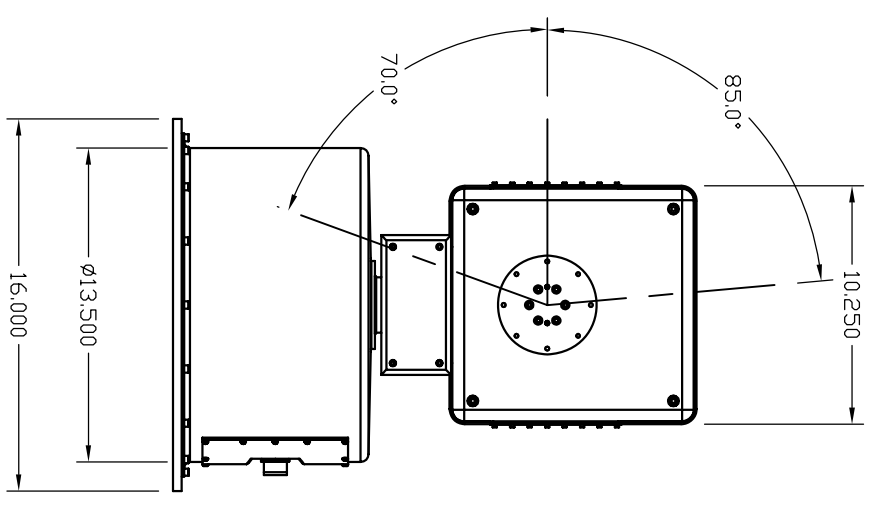
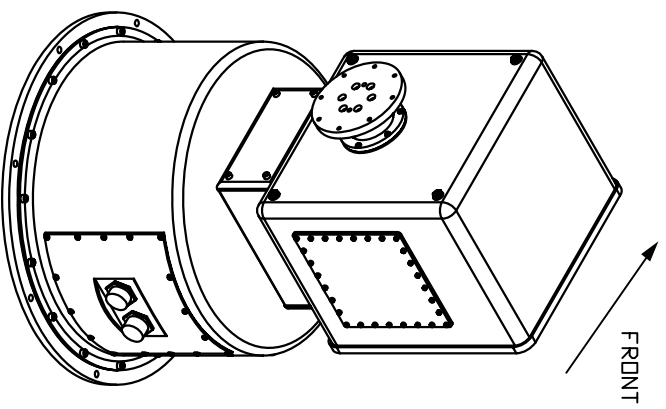
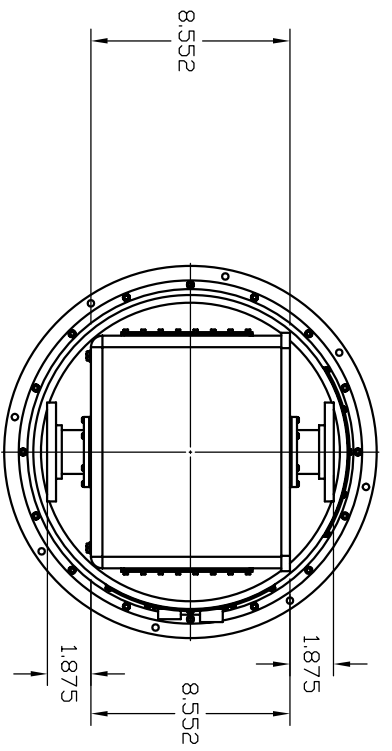


NOTES:
1. INTERPRET DRAWING IAW ASME Y14.5M-1994.

REV. 1		REV. 2	
REV.	DESCRIPTION	DATE	APPROVED
A	UPDATED PER ECF02594	1/20/04	SAS
B	REVISED PER ECF02552	4/11/06	S.S.



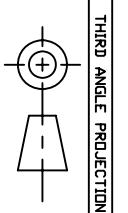
A

B

C

D

THIS IS A SAGEBRUSH TECHNOLOGY, INC. PROPRIETARY DOCUMENT AND IS ISSUED IN CONFIDENCE FOR ENGINEERING INFORMATION ONLY. IT MAY NOT BE REPRODUCED OR USED TO MANUFACTURE ANYTHING SHOWN HEREIN WITHOUT DIRECT WRITTEN PERMISSION FROM SAGEBRUSH TECHNOLOGY, INC. TO THE USER.

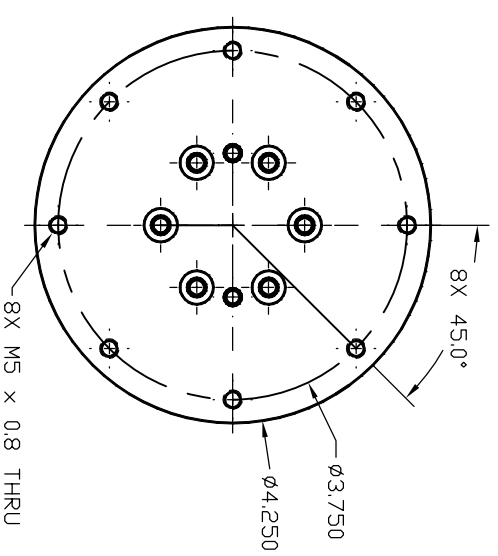
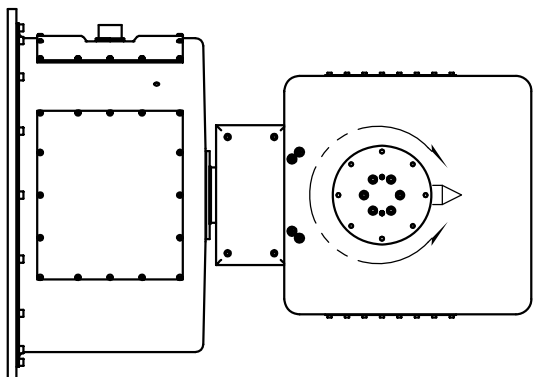
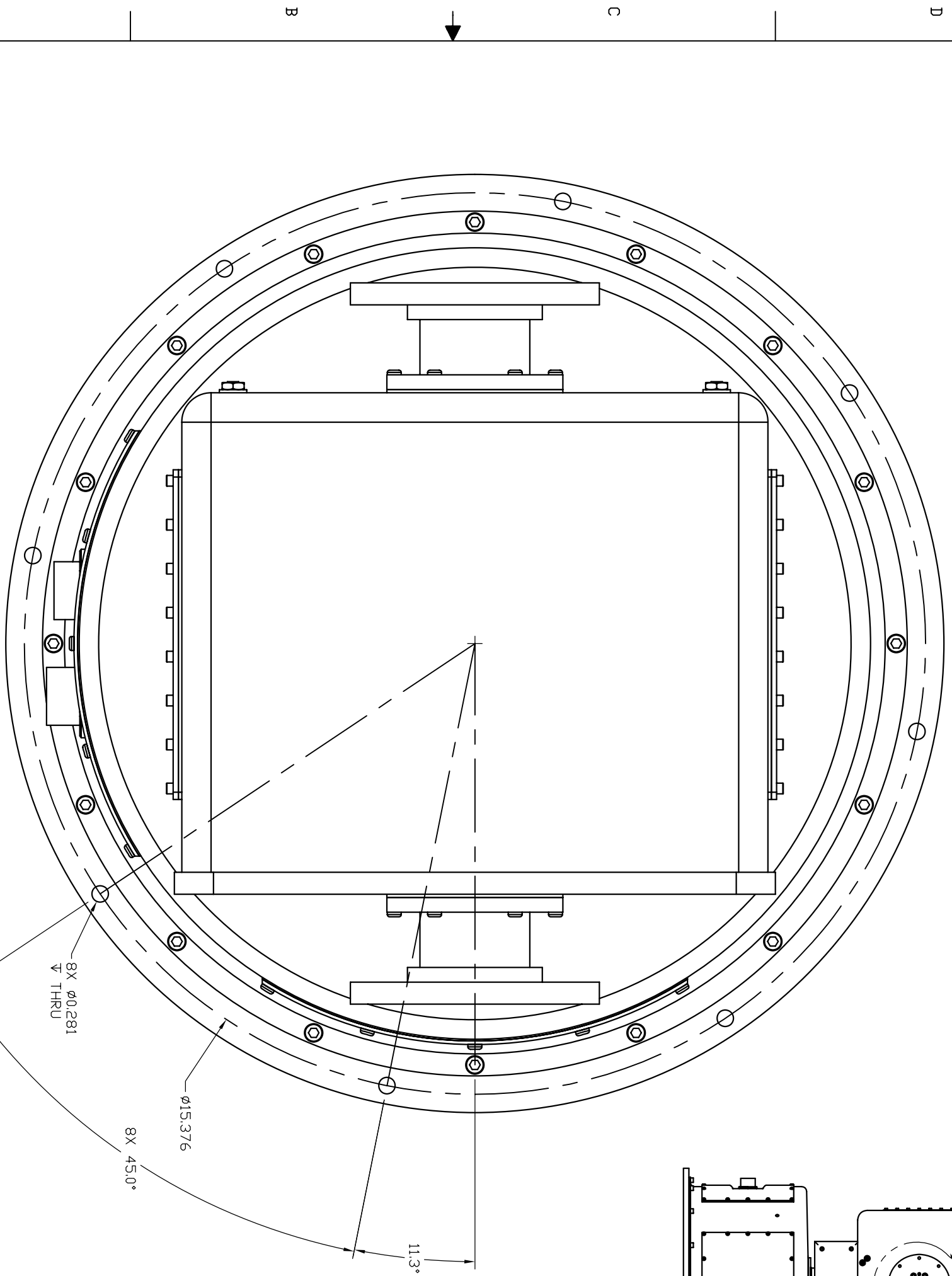


HEAT TREAT	NONE
FINISH	MATL
UNLESS OTHERWISE SPECIFIED: ◦ DIMENSIONS ARE IN INCHES AND APPLY PRIOR TO FINISH. ◦ SURFACE TEXTURE: ◦ SYMBOLS PER ANSI Y14.5M '94 ◦ REQUIREMENTS PER ANSI B46.1 ◦ 42/MACH. SURF. ROUGHNESS ◦ TOLERANCES: DN, ◦ ANGLES: ± .3° ◦ DECIMALS: .xxx ±.005	
DID NOT SCALE DRAWING	

CONTRACT NO.	8013
APPROVALS	
DATE	3/16/2006
BY	V.SANCHEZ
CHK	D.MCCREERY
ENGR	S.SETHI
DATE	1/20/04

SAGEBRUSH Technology, Inc.
INTERFACE CONTRL
MODEL 25

SIZE	D	CAGE CODE	0XTY1	DWG. NO.	D104595	REV.	B
SCALE	N/A	WEIGHT	53 LB.	SHEET	1 OF 2		



ELEVATION SHAFT INTERFACE

DETAIL A

BASE (AZIMUTH) MOUNTING

THIS IS A SAGEBRUSH TECHNOLOGY, INC. PROPRIETARY DOCUMENT AND IS ISSUED IN CONFIDENCE FOR ENGINEERING INFORMATION ONLY. IT MAY NOT BE REPRODUCED OR USED TO MANUFACTURE ANYTHING SHOWN HEREIN WITHOUT DIRECT WRITTEN PERMISSION FROM SAGEBRUSH TECHNOLOGY, INC. TO THE USER.

BRAWN V.SANCHEZ		SAGEBRUSH Technology, Inc.	
CHECKED BY	D.J. MCREEERY	CAGE CODE	D104595
SIZE	D	DWG NO.	D104595
SCALE	N/A	REV.	B
SHEET 2 OF 2			