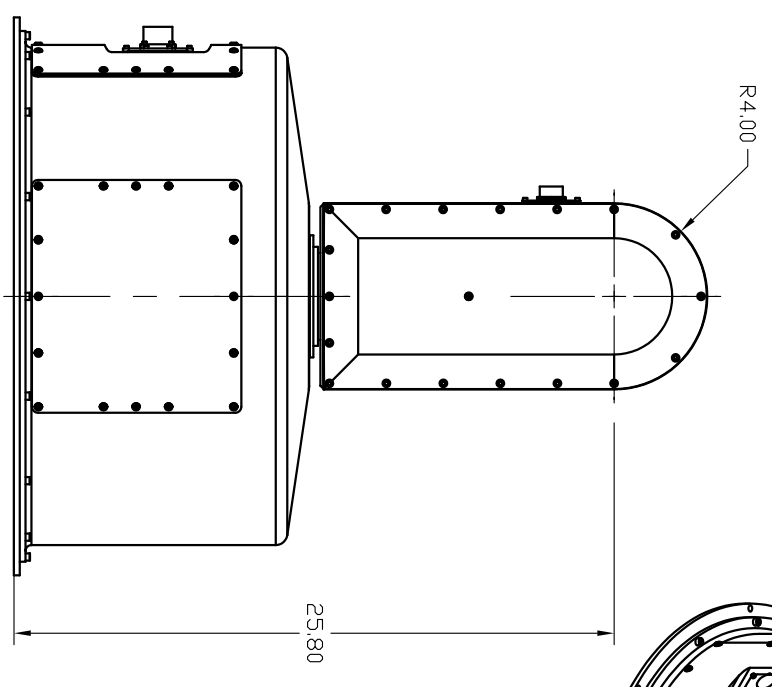
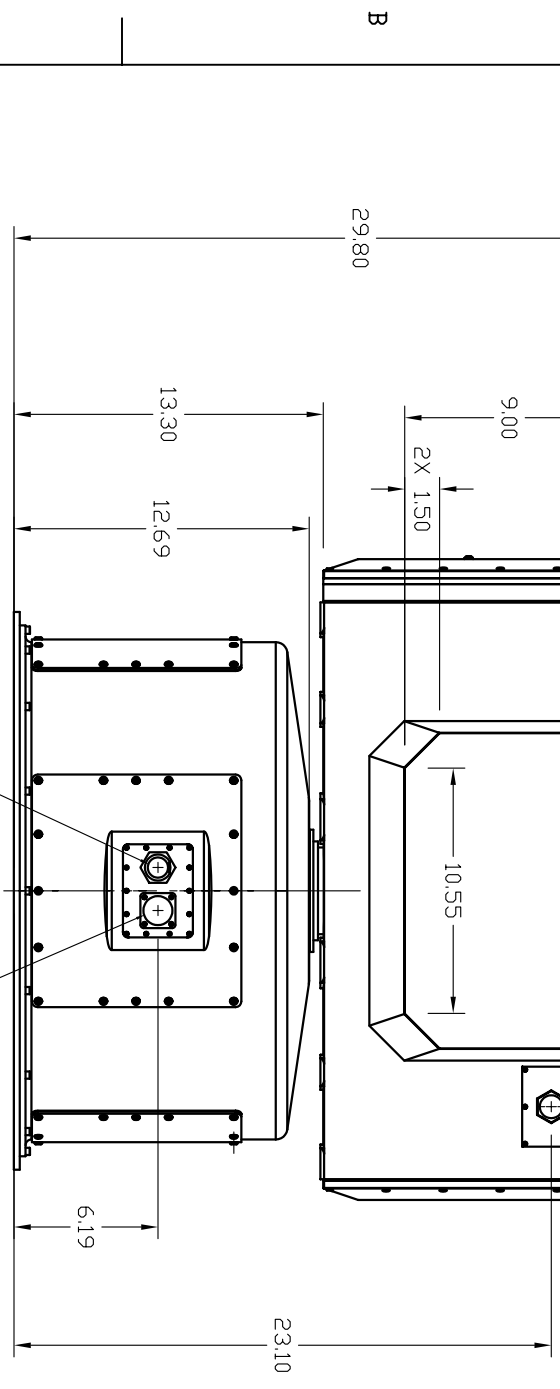
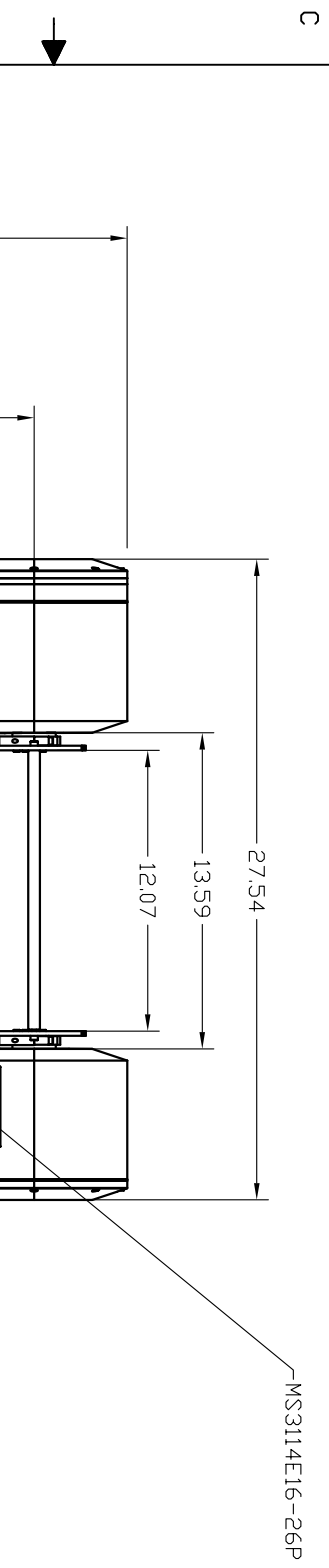
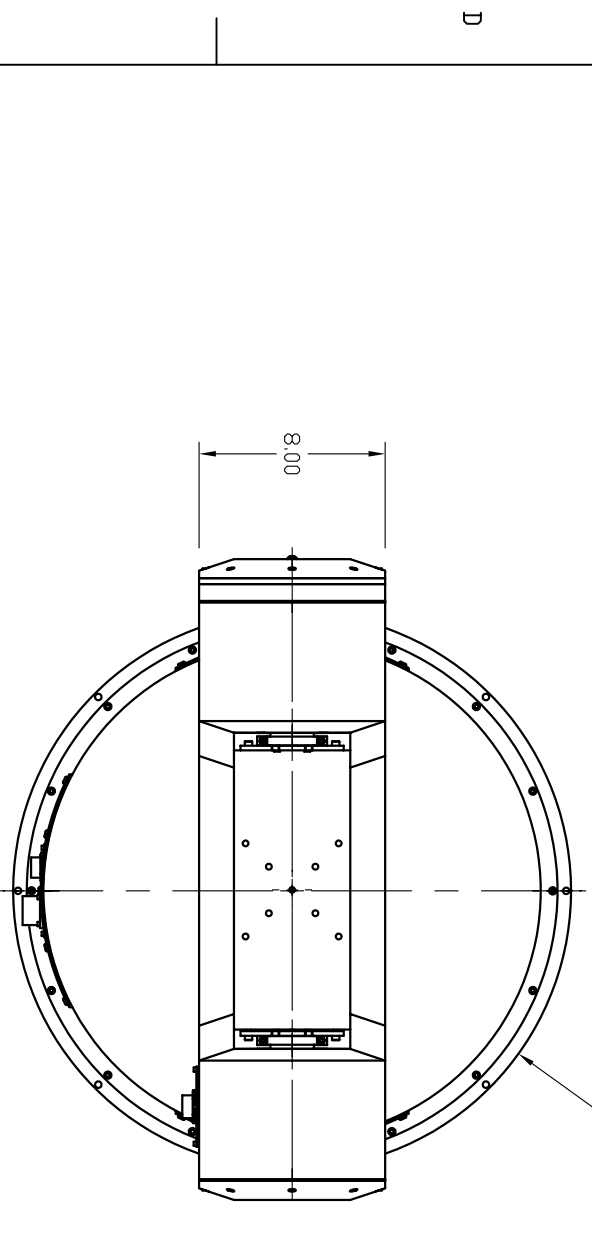
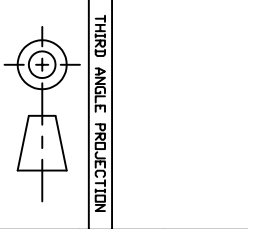


REV	DESCRIPTION	DATE	APPROVED
-	ORIGINAL RELEASE PER ECNO		A.S.
A	REVISED PER ECFO		A.S.
B	REVISED PER ECFO		A.S.



THIS IS A SAGEBRUSH TECHNOLOGY, INC. PROPRIETARY DOCUMENT AND IS ISSUED IN CONFIDENCE FOR ENGINEERING INFORMATION ONLY. IT MAY NOT BE REPRODUCED OR USED TO MANUFACTURE ANYTHING SHOWN HEREIN WITHOUT DIRECT WRITTEN PERMISSION FROM SAGEBRUSH TECHNOLOGY, INC. TO THE USER.



HEAT TREAT	NONE
FINISH	MATL
UNLESS OTHERWISE SPECIFIED:	
o DIMENSIONS ARE IN INCHES AND APPLY PRIOR TO FINISH.	
o SURFACE TEXTURE:	
o SYMBOLS PER ANSI Y14.5M '94	
o REQUIREMENTS PER ANSI B46.1	
o 42°/MACH. SURF. ROUGHNESS	
o TOLERANCES: DN	
o ANGLES: ± .5°	
o DECIMALS: .xxx ±.005	
IDO NOT SCALE DRAWING	

CONTRACT NO.	8012
APPROVALS	
DATE	
DATE	11/1/04
DATE	11/1/04
DATE	11/1/04

**SAGEBRUSH Technology, Inc.**

INTERFACE, CONTROL  
R0TD-LDC, MODEL 30

SIZE: D  
SCALE: 1X  
CAGE CODE: 0XTY1  
DWG NO.: D104225  
WEIGHT:  
SHEET 1 OF 3

# AZIMUTH BASE MOUNTING INTERFACE

FRONT OF GIMBAL

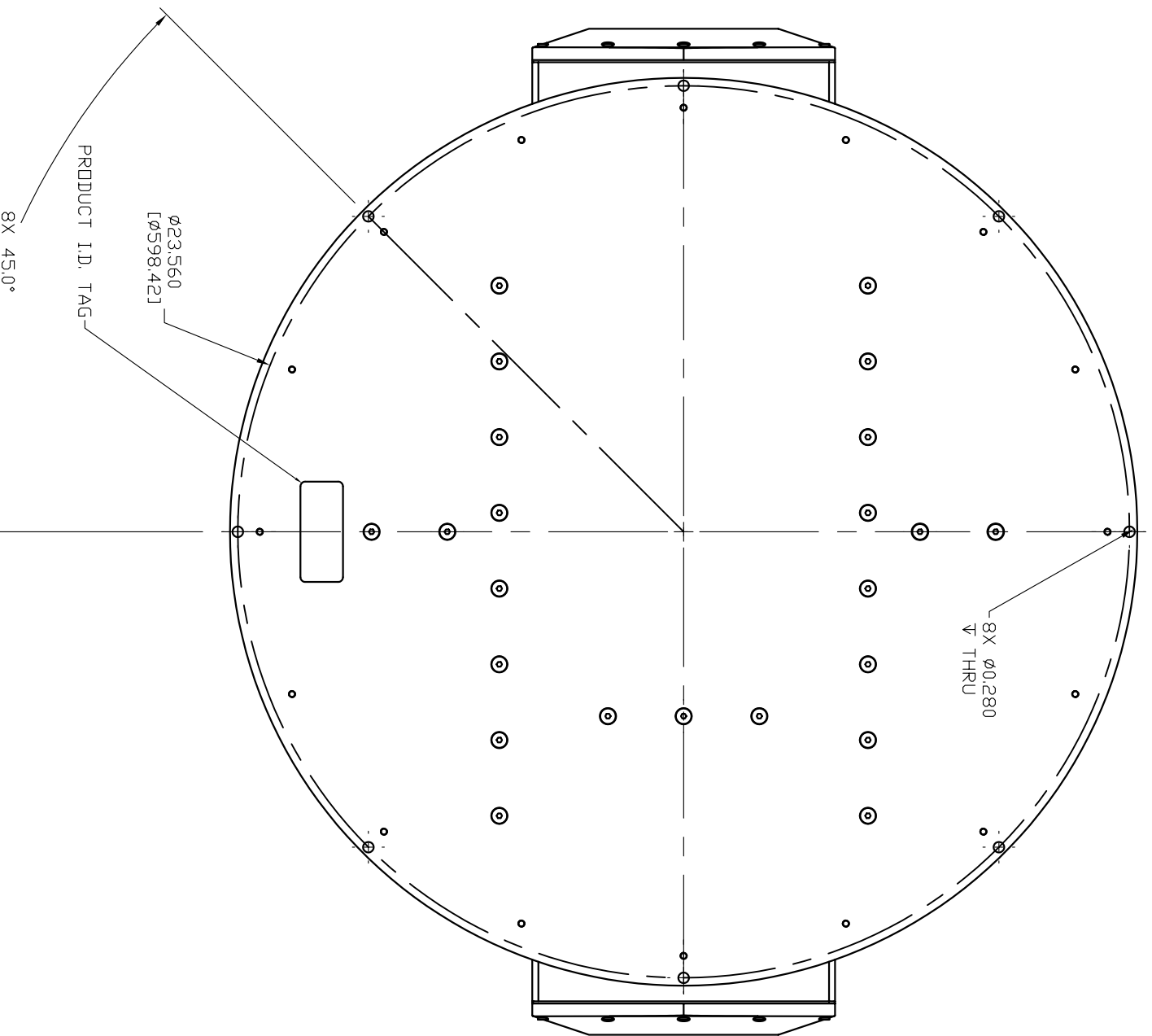
8X Ø0.280  
THRU

A

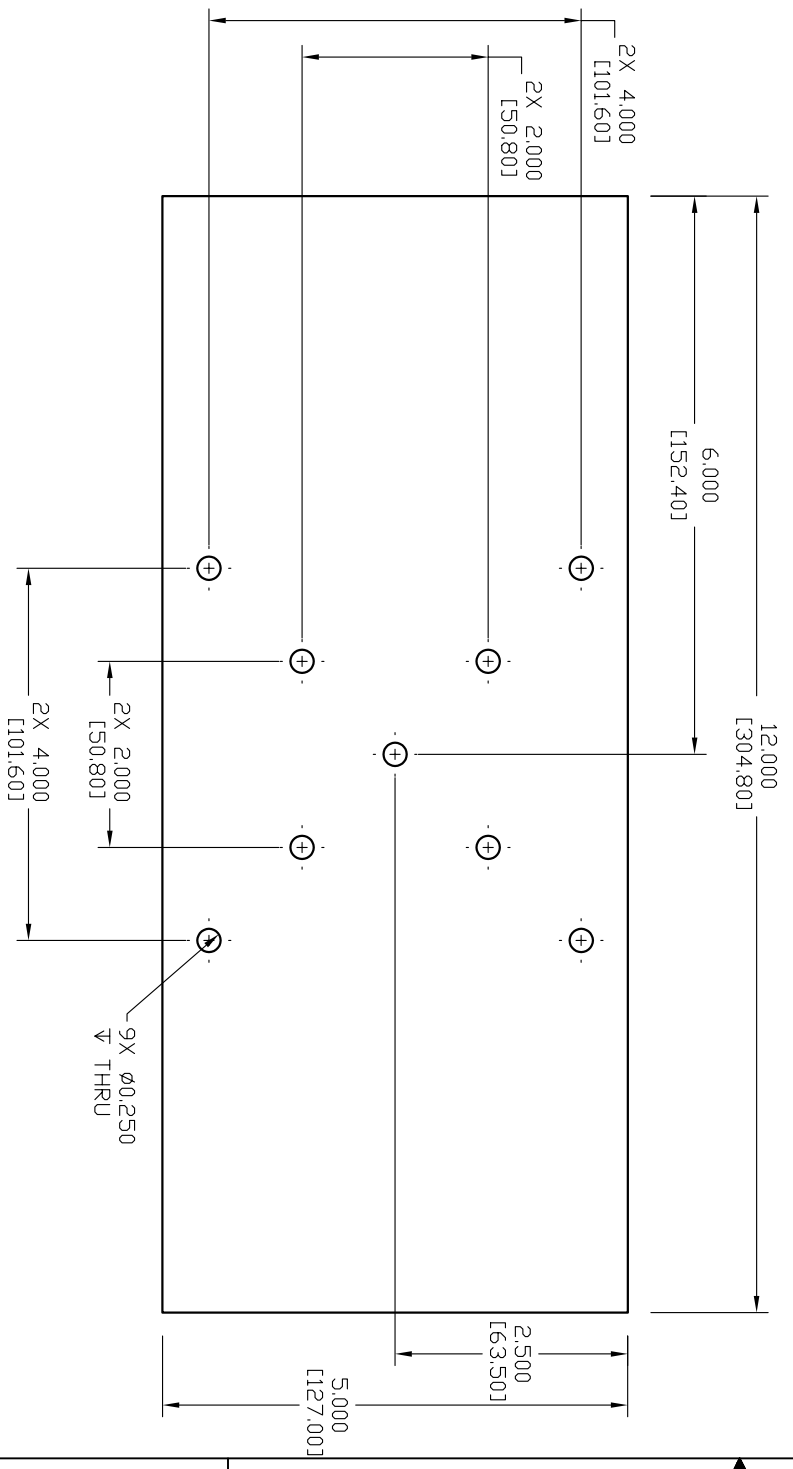
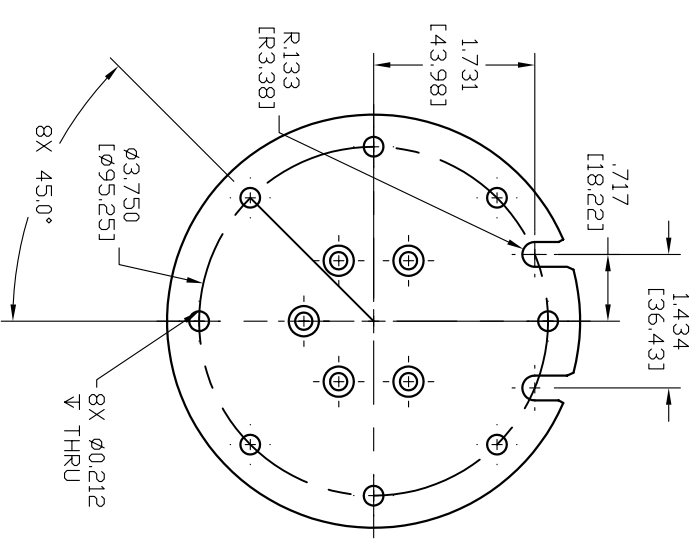
B

C

D



# ELEVATION SHAFT ADAPTER INTERFACE

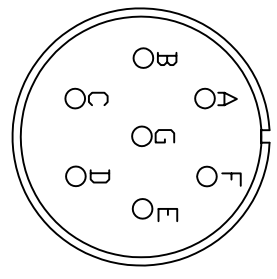


# ELEVATION SHIPPING PLATE INTERFACE



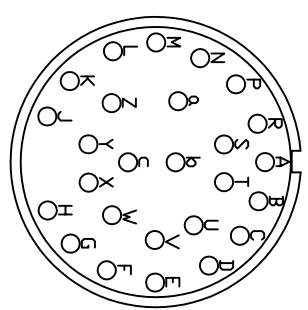
BRAUN V. SANCHEZ CHECKED A. SANCHEZ			
SIZE	CAGE CODE	DWG NO.	REV.
D	0XTY1	D104557	-
SCALE	NA	SHEET	2 OF 3

THIS IS A SAGEBRUSH TECHNOLOGY, INC. PROPRIETARY DOCUMENT AND IS ISSUED IN CONFIDENCE FOR ENGINEERING INFORMATION ONLY. IT MAY NOT BE REPRODUCED OR USED TO MANUFACTURE ANYTHING SHOWN HEREIN WITHOUT DIRECT WRITTEN PERMISSION FROM SAGEBRUSH TECHNOLOGY, INC. TO THE USER.



INPUT POWER  
CA3100E-20-15P-F80

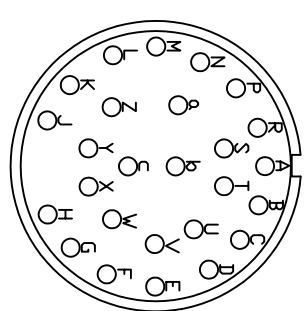
PIN	DESCRIPTION
A	SPARE
B	+28 VDC
C	28 RTN
D	AC LINE (120V)
E	CGND/AC GND (120V)
F	SPARE
G	AC NEUT



INPUT COMMUNICATIONS AZ  
MS3114E16-26P

PIN	DESCRIPTION
A	D0
B	D1
C	D2
D	D3
E	D4
F	D5
G	D6
H	D7
J	D8
K	SHIELD
L	485 RX-
M	485 TX+
N	485 RX+
P	485 TX-
R	SPARE
S	+28 VDC A
T	+28 VDC B
U	-28 VDC A
V	-28 VDC B
W	SPARE
X	SPARE
Y	SPARE
Z	232 RXA

PIN	DESCRIPTION
a	232 TXA
b	GND A
c	SPARE



PAYLOAD INTERFACE EL  
MS3114E16-26S

PIN	DESCRIPTION
A	D0
B	D1
C	D2
D	D3
E	D4
F	D5
G	D6
H	D7
J	D8
K	SHIELD
L	SPARE
M	SPARE
N	SPARE
P	SPARE
R	SPARE
S	+28 VDC A
T	+28 VDC B
U	-28 VDC A
V	-28 VDC B
W	SPARE
X	SPARE
Y	SPARE
Z	SPARE

PIN	DESCRIPTION
a	SPARE
b	SPARE
c	SPARE

A B C D

**SAGEBRUSH Technology, Inc.**  
 BRAUN V.SANCHEZ  
 CHECKED A.SANCHEZ  
 SIZE D CAGE CODE 0XTY1 DWG NO. D104557 REV. -  
 SCALE NA SHEET 3 OF 3

THIS IS A SAGEBRUSH TECHNOLOGY, INC. PROPRIETARY DOCUMENT AND IS ISSUED IN CONFIDENCE FOR ENGINEERING INFORMATION ONLY. IT MAY NOT BE REPRODUCED OR USED TO MANUFACTURE ANYTHING SHOWN HEREIN WITHOUT DIRECT WRITTEN PERMISSION FROM SAGEBRUSH TECHNOLOGY, INC. TO THE USER.